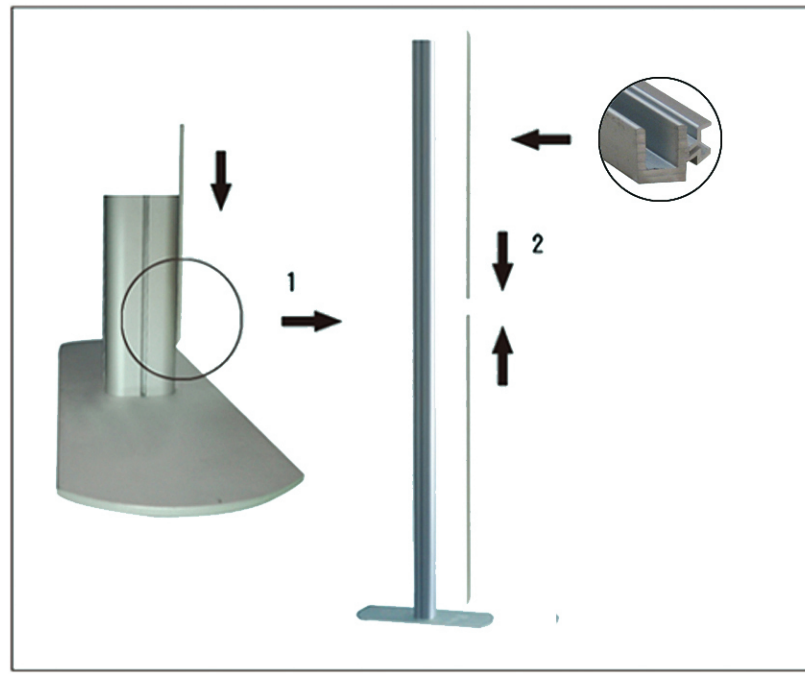


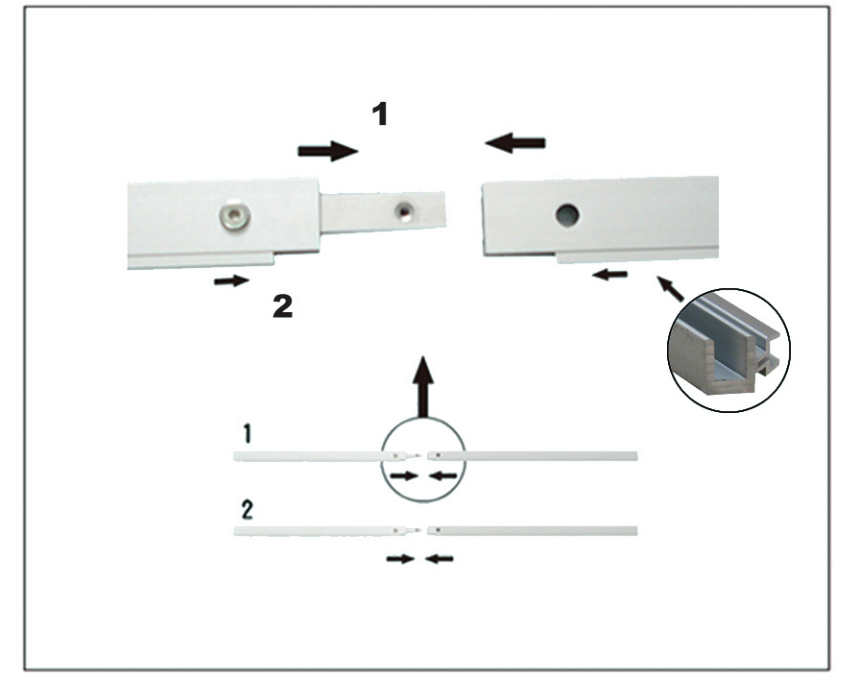
**SETUP1**

Install the base then slide the vertical pole sections onto the foot as shown.



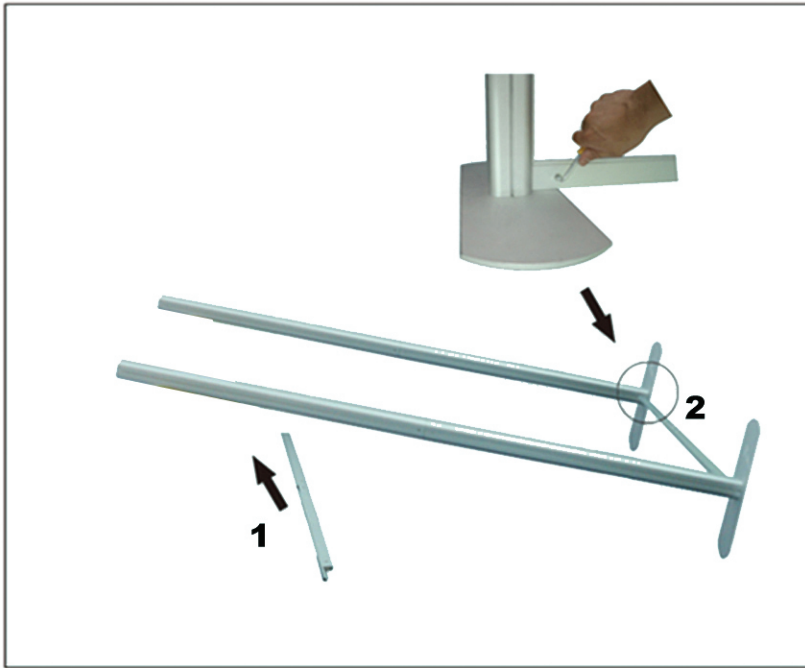
**SETUP2**

Assemble the aluminum profile which can inlay printing.



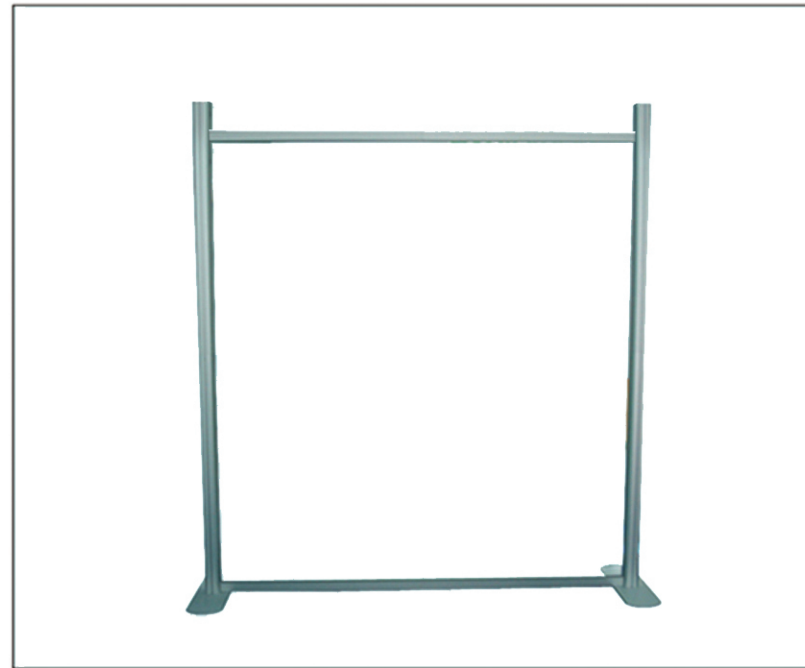
**SETUP3**

Connect the rails.



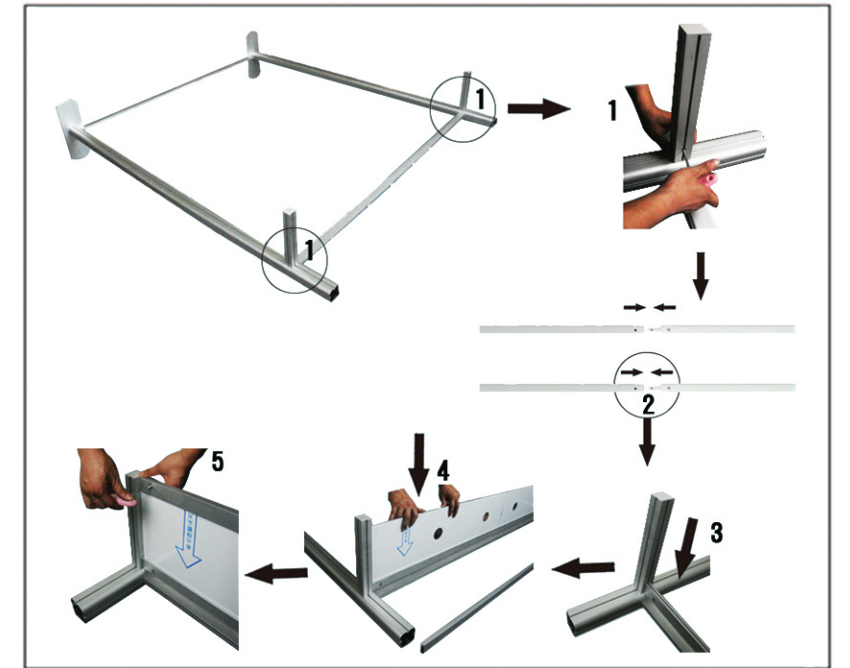
**SETUP4**

Connect the top and bottom rail using screw.



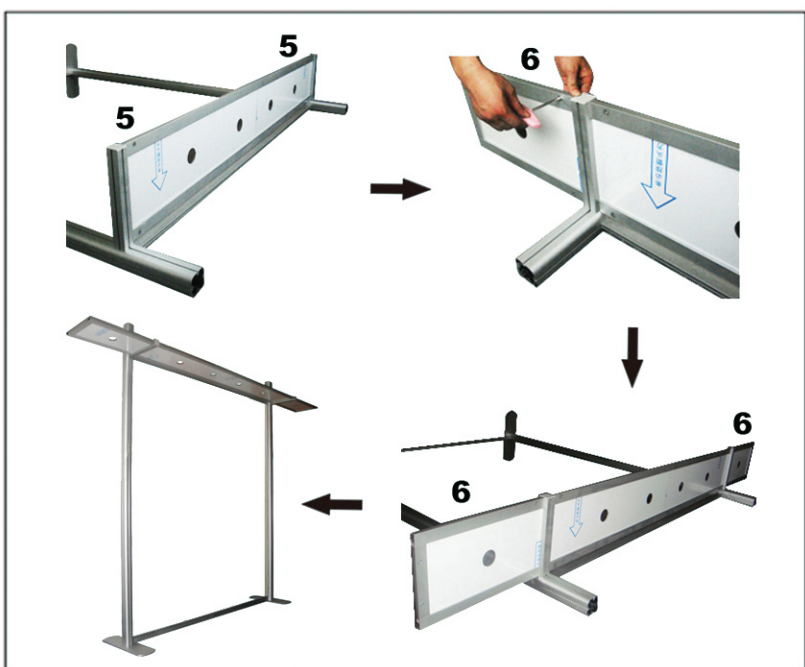
**SETUP5**

Finish the main profiles.



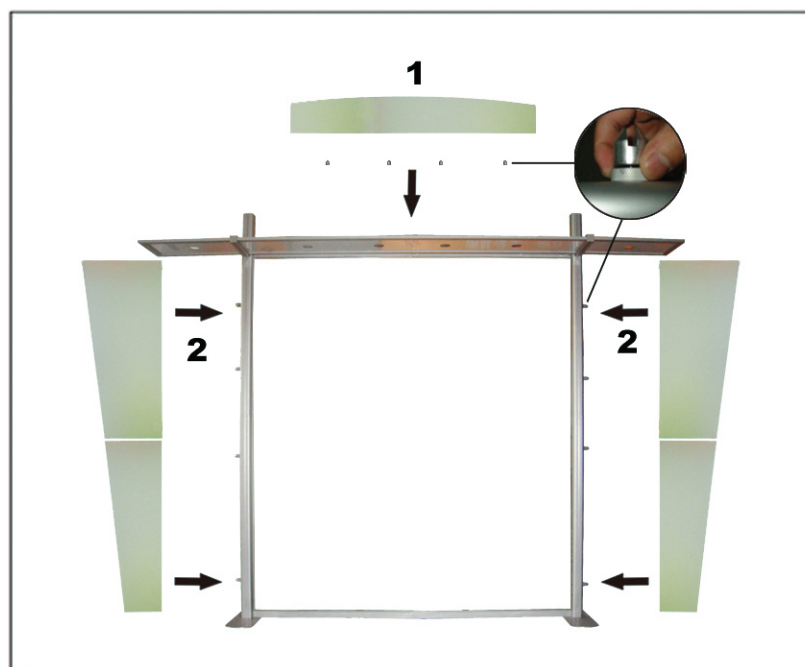
**SETUP6**

Connect roof profiles.



**SETUP7**

Install roof graphic and connecting supporting Profiles.



**SETUP8**

Install cap, board & decorative board.



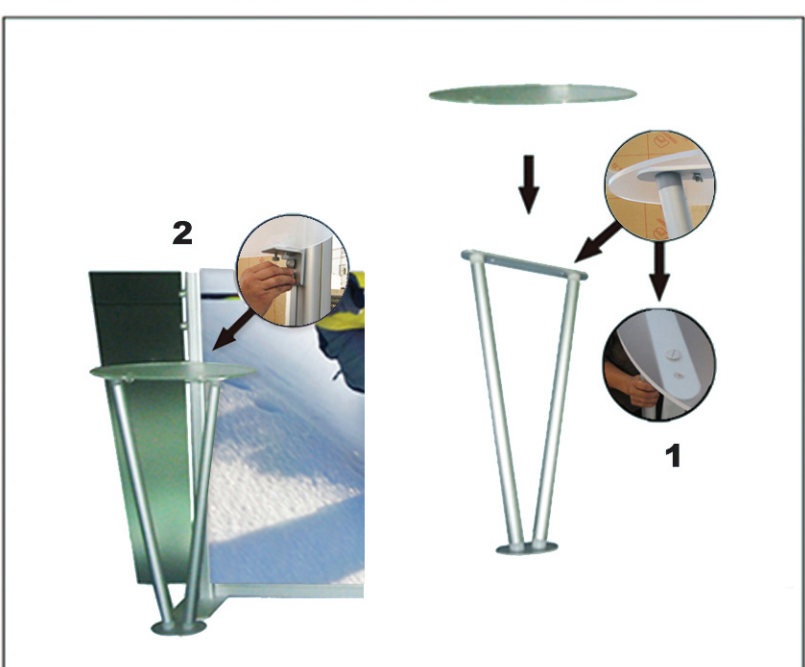
**SETUP9**

Install printing.



**SETUP10**

Install the table shelf  
Install the Lamp



**SETUP11**

Connect profile and table accessories then connect them to vertical pole.



**SETUP12**

Install the counter, table & LED (optional)