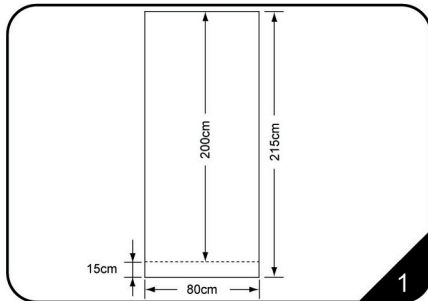
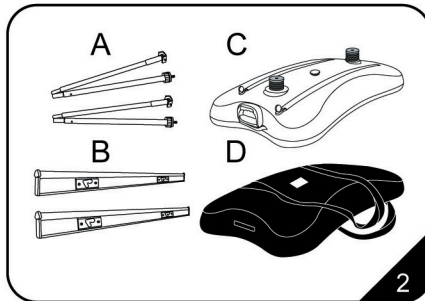


BEAST INSTALLATION STEPS

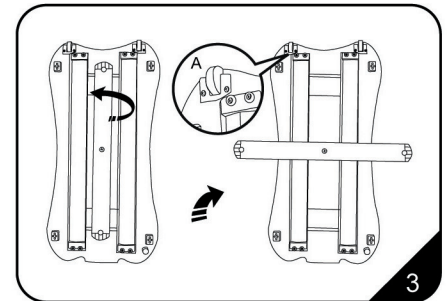
Modern appearance, stable quality, practicability & multiformity
Package available as accessories



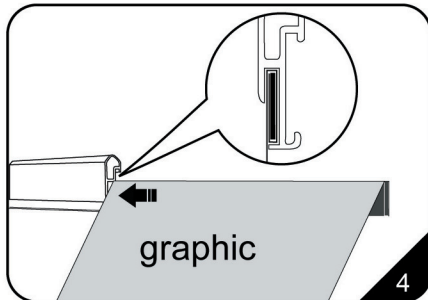
1. The overall dimension of the graphic is 80cm(wide) x 215cm (high). The visible overall height of the graphic is 80cm (wide) x 200cm (high). Please allow extra length for graphic insertion.



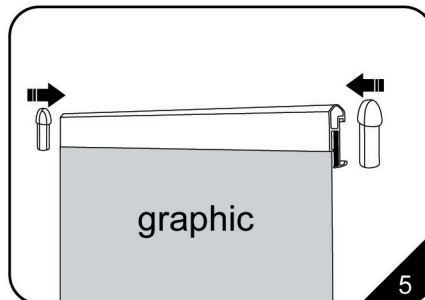
2. A. Telescopic pole 2pcs B. Upper graphic clip 2pcs
 C. Water base assembly 1pc D. Nylon bag 1pc



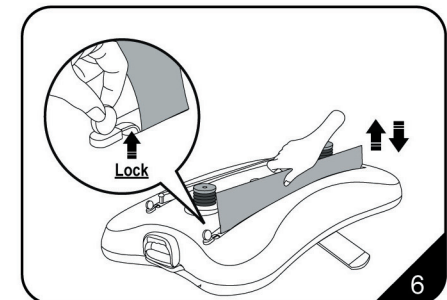
3. A. Trolley
 A revolving foot to strengthen stability.



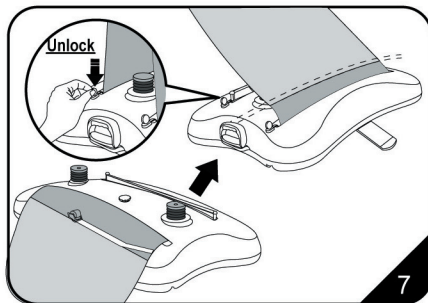
4. Take out the in-line from graphic clamp, and glue with the graphic, rotate 360° then put into graphic clamp as per above pic.



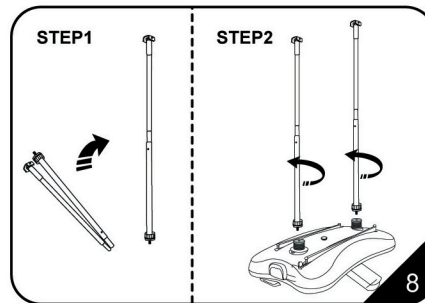
5. Graphic needs to correspond with the graphic clamp face.



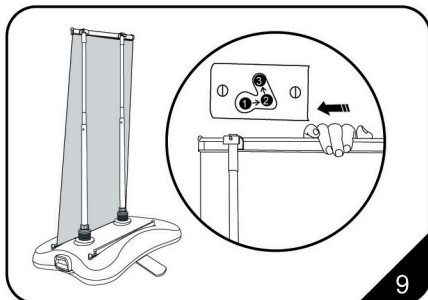
6. Pull leading paper while lifting handle to lock position.



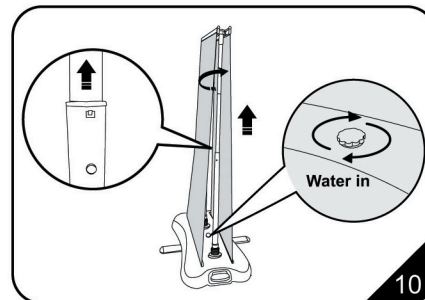
7. Adhere graphic to 3M on leading paper smoothly, then stick all around by transparent adhesive, then lift graphic and unlock by pressing small handle for rolling up graphic.



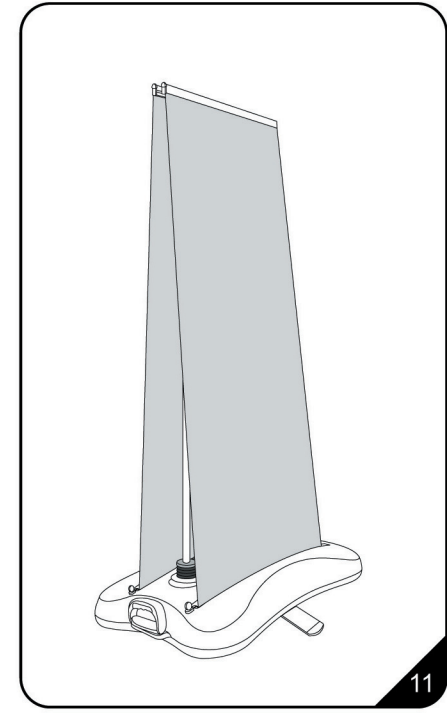
8. Unfold the pole and slip the pieces together to assemble it to a rigid pole. Attach vertical poles to the spring by screwing tightly, put warheads outward.



9. Aim two connectors in graphic clip at gourd hole in pole holder, shift to the right 7 hole, then raise till warhead out, suggest handling by two person.



10. Raise the middle pole to the highest point, The graphic can be tightened by adjusting the pole, Then inject water to water base.



11. Complete installation.



CAUTION:
PLEASE READ THE INSTRUCTIONS BEFORE INSTALLING PRODUCT