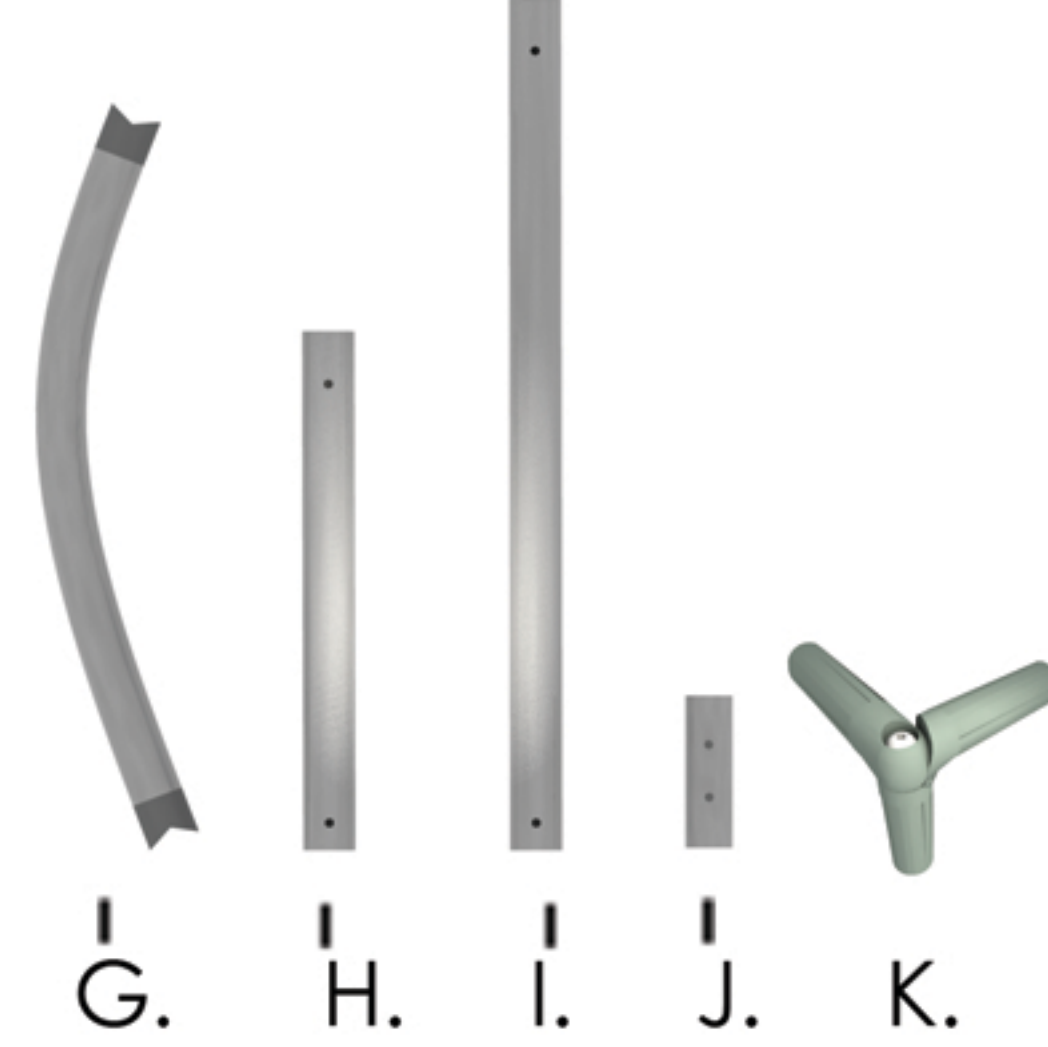
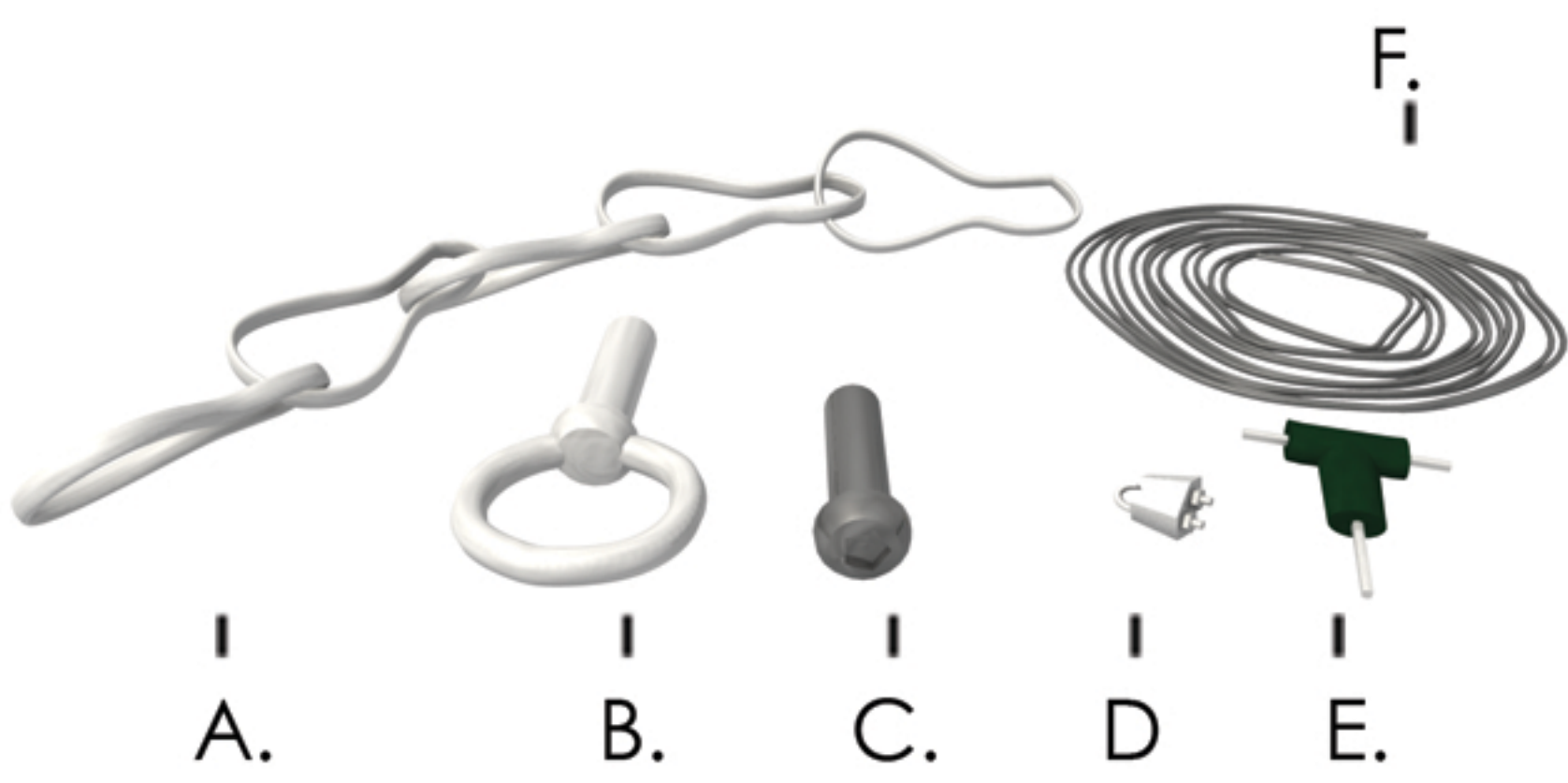
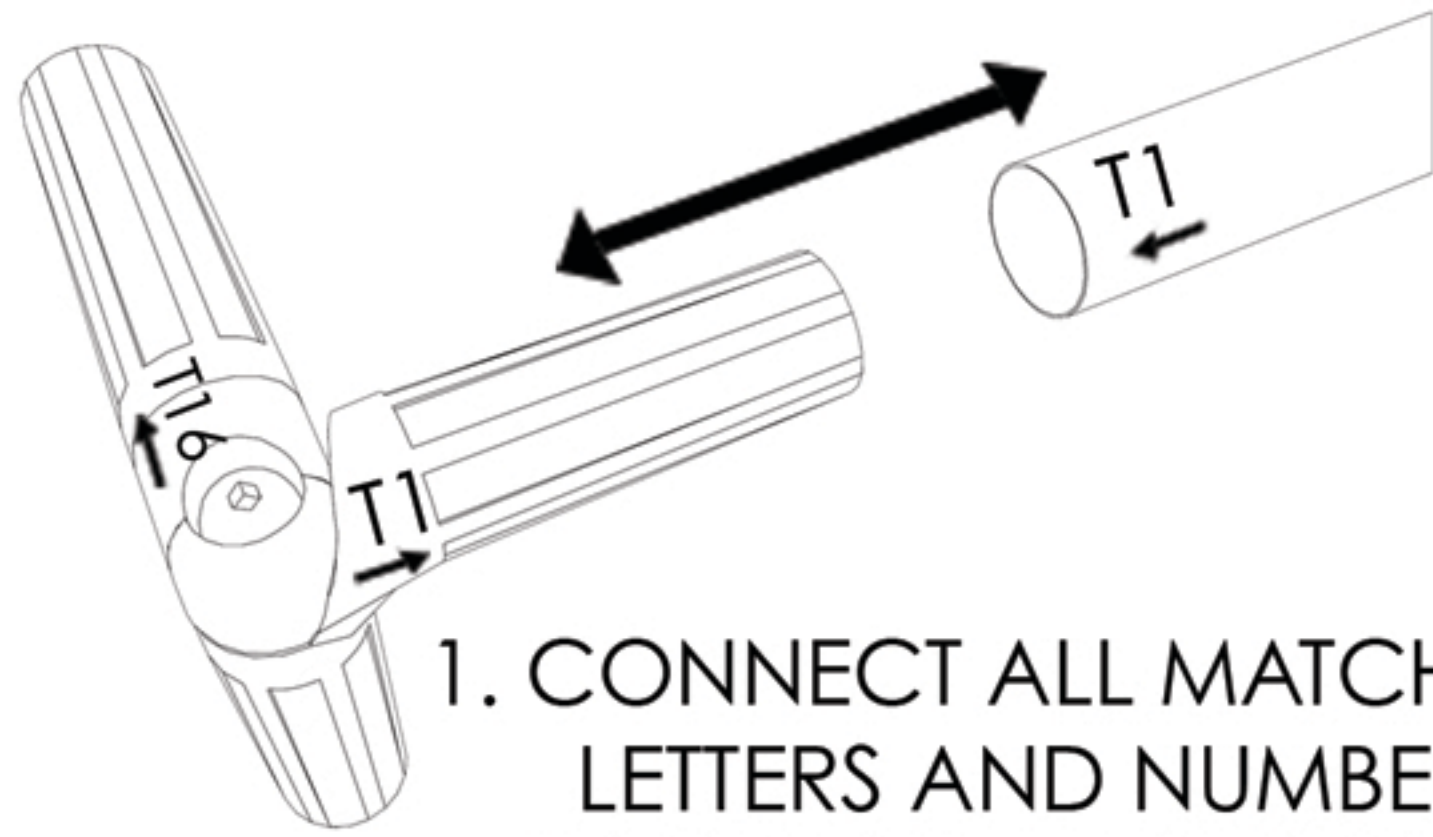


INSTRUCTIONS FOR THE SQUARE

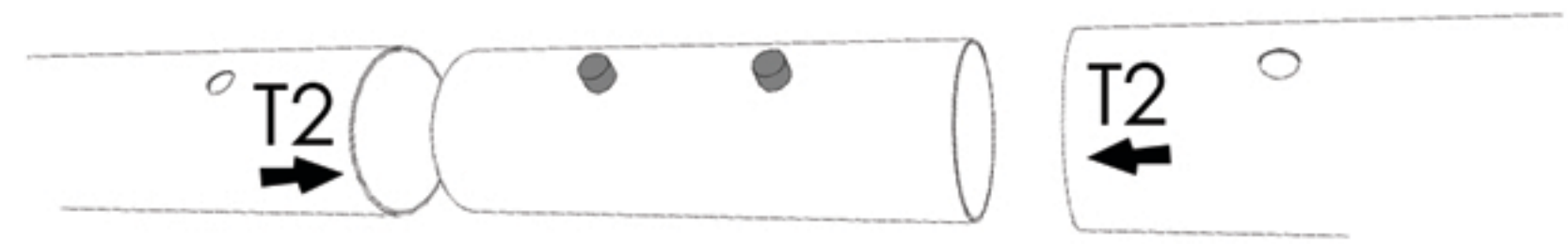


- A. CHAIN
- B. EYE HOOK
- C. LARGE SCREW
- D. HOOK LOOP LOCK
- E. SCREW TIGHTENER
- F. CABLE
- G. CURVED STABILIZER
- H. SMALL TUBE
- I. LARGE TUBE
- J. TUBE CONNECTOR
- K. CORNER CONNECTOR

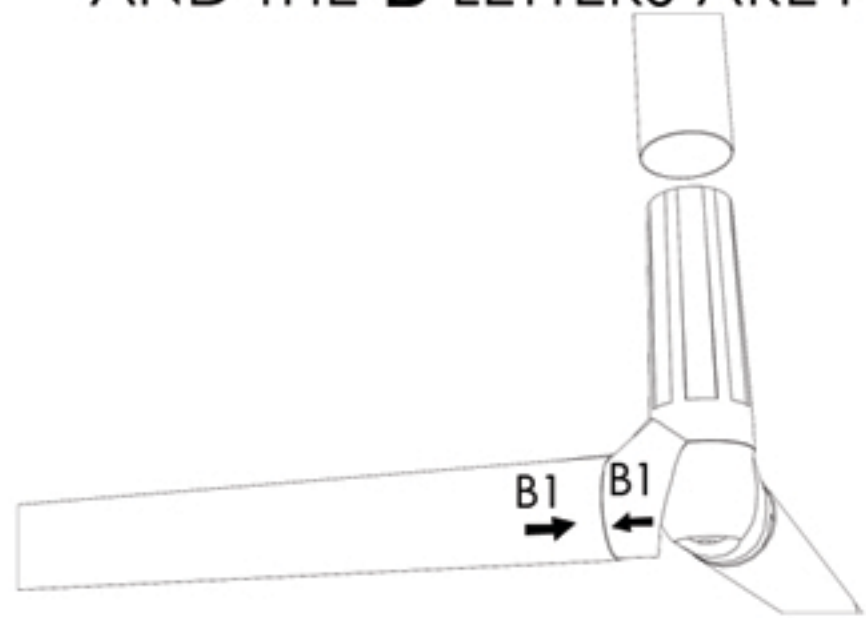


1. CONNECT ALL MATCHING LETTERS AND NUMBERS. START WITH THE BOTTOM.

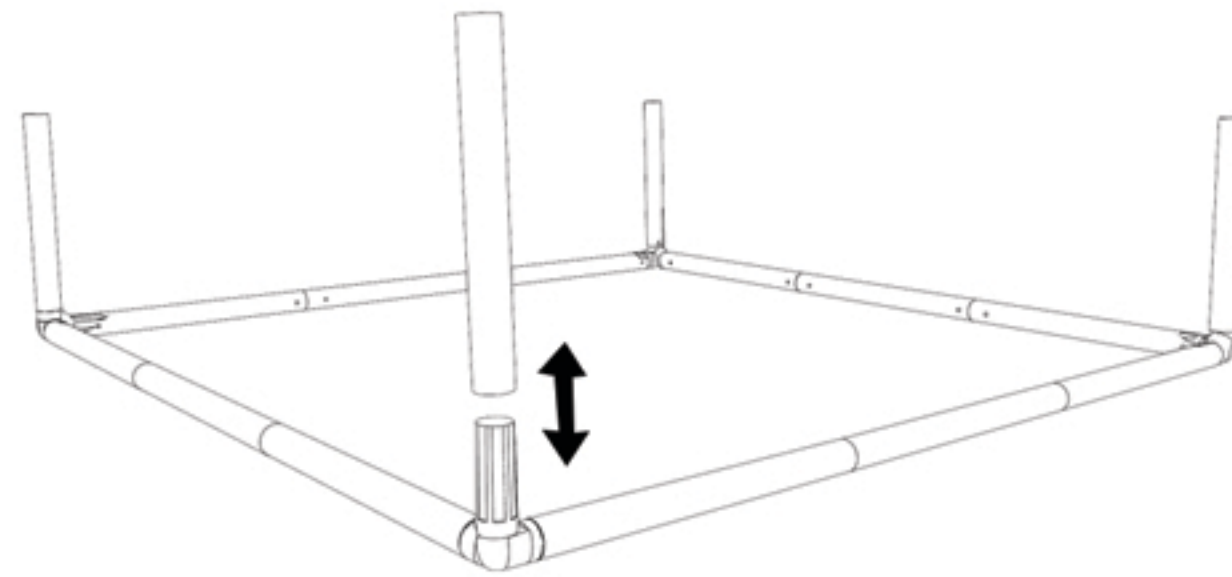
(ALL **T** LETTERS ARE FOR THE TOP OF FRAME AND THE **B** LETTERS ARE FOR THE BOTTOM OF FRAME)



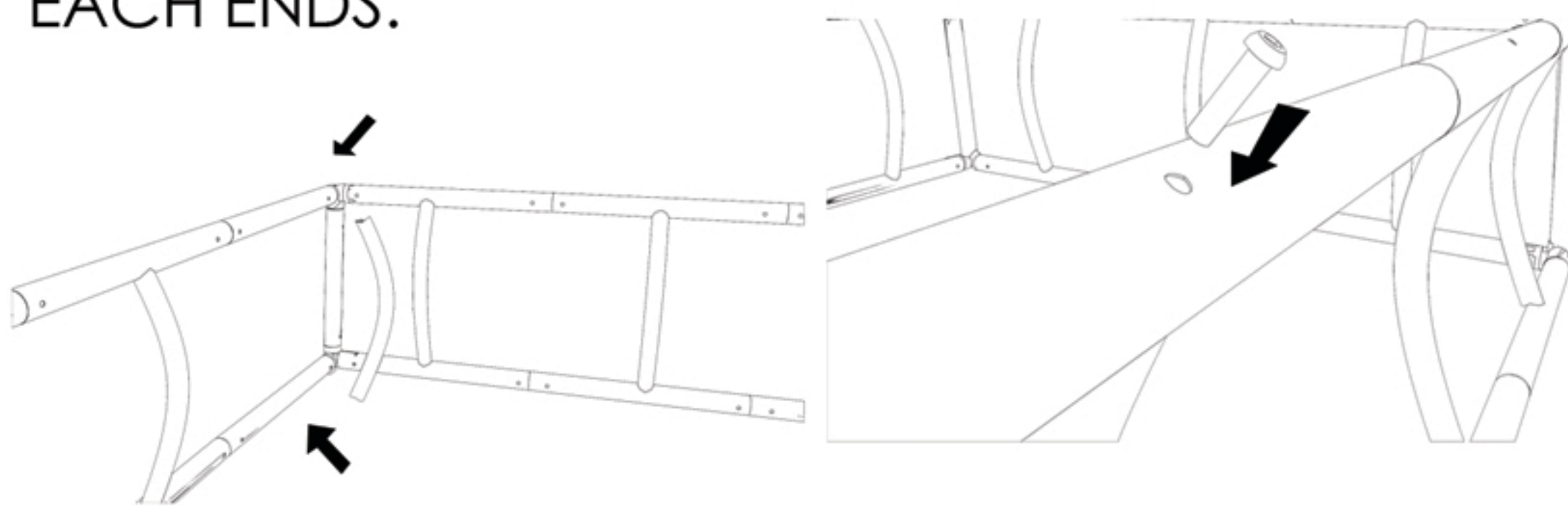
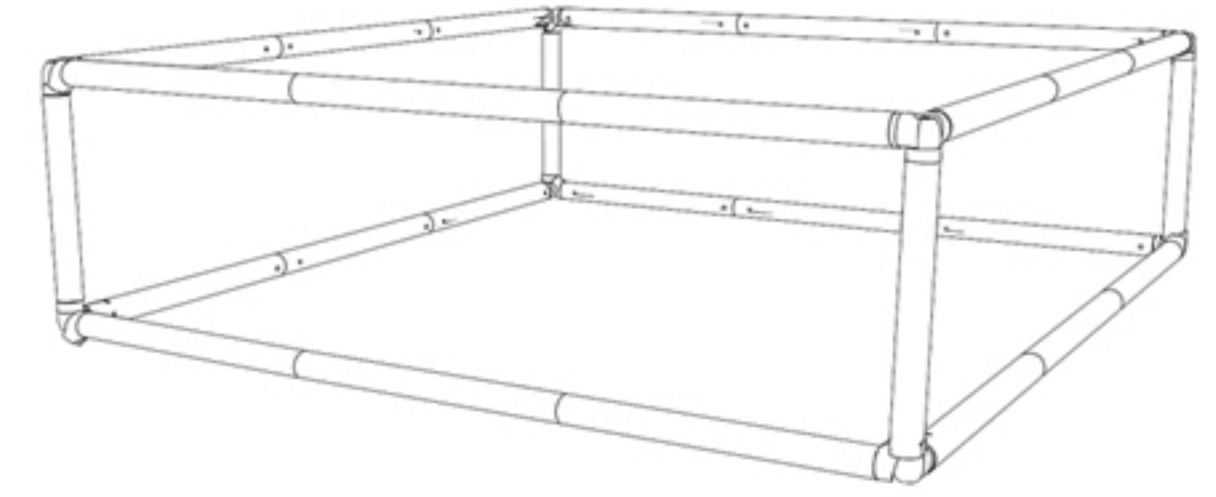
2. ALL TUBES IN BETWEEN GET CONNECTORS TO ATTACH TOGETHER.



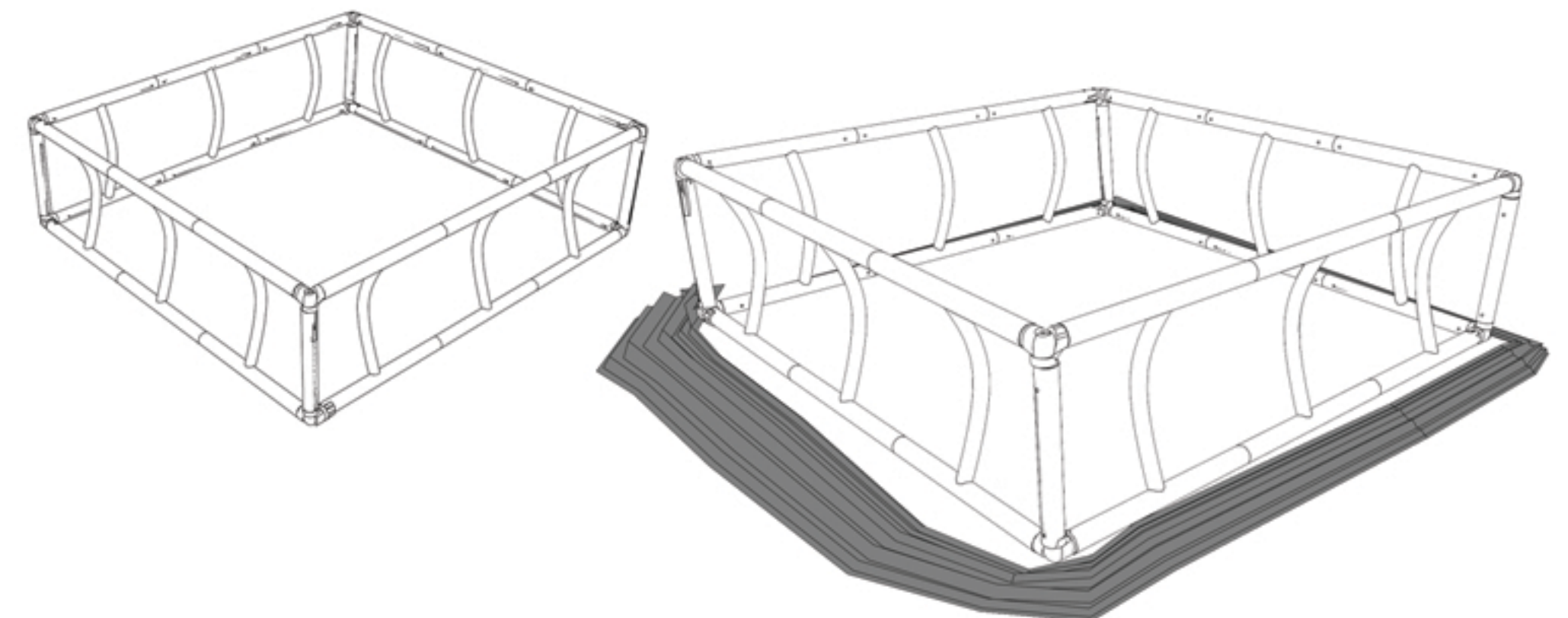
3. AFTER YOU FINISH ADJUSTING BOTTOM OF THE FRAME. USE THE SMALL TUBE ON EACH ENDS.



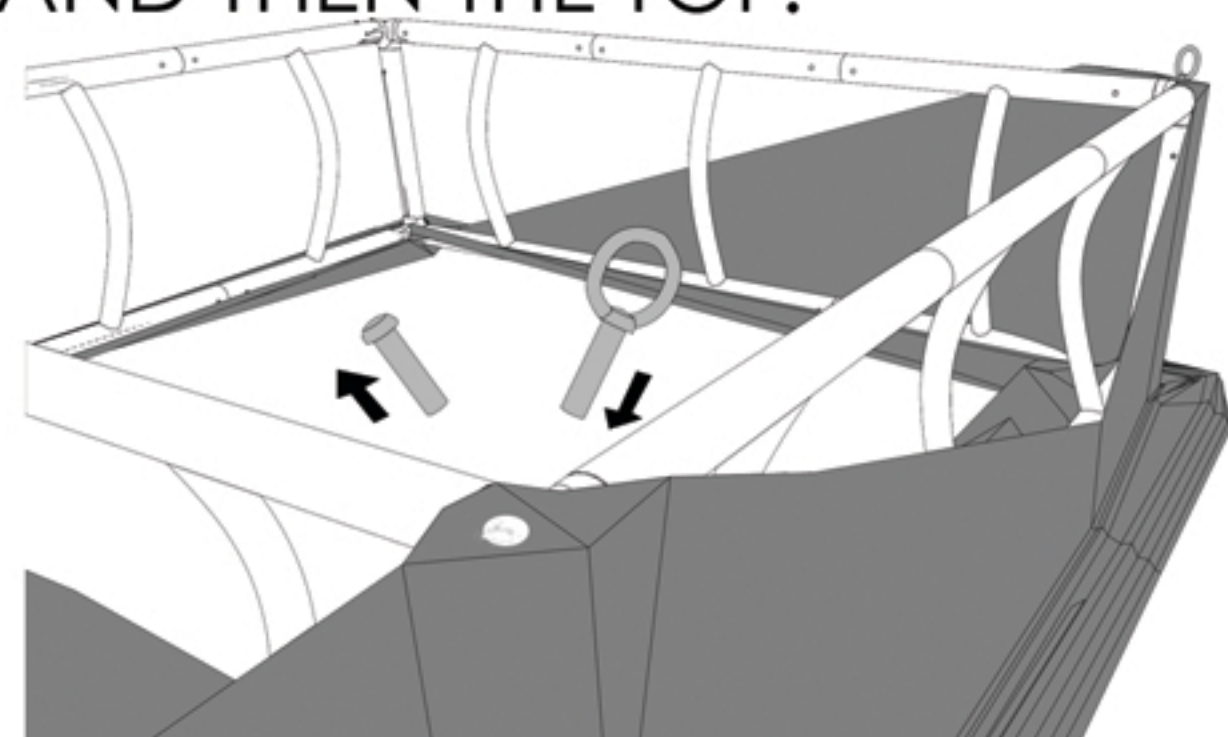
4. REPEAT STEP ONE FOR THE TOP.



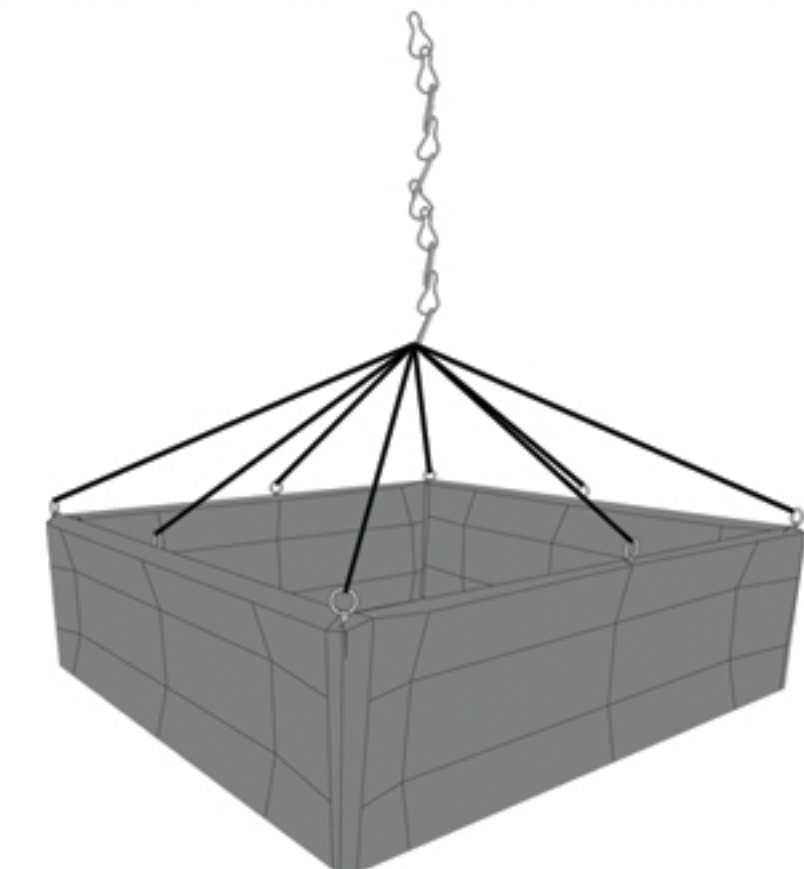
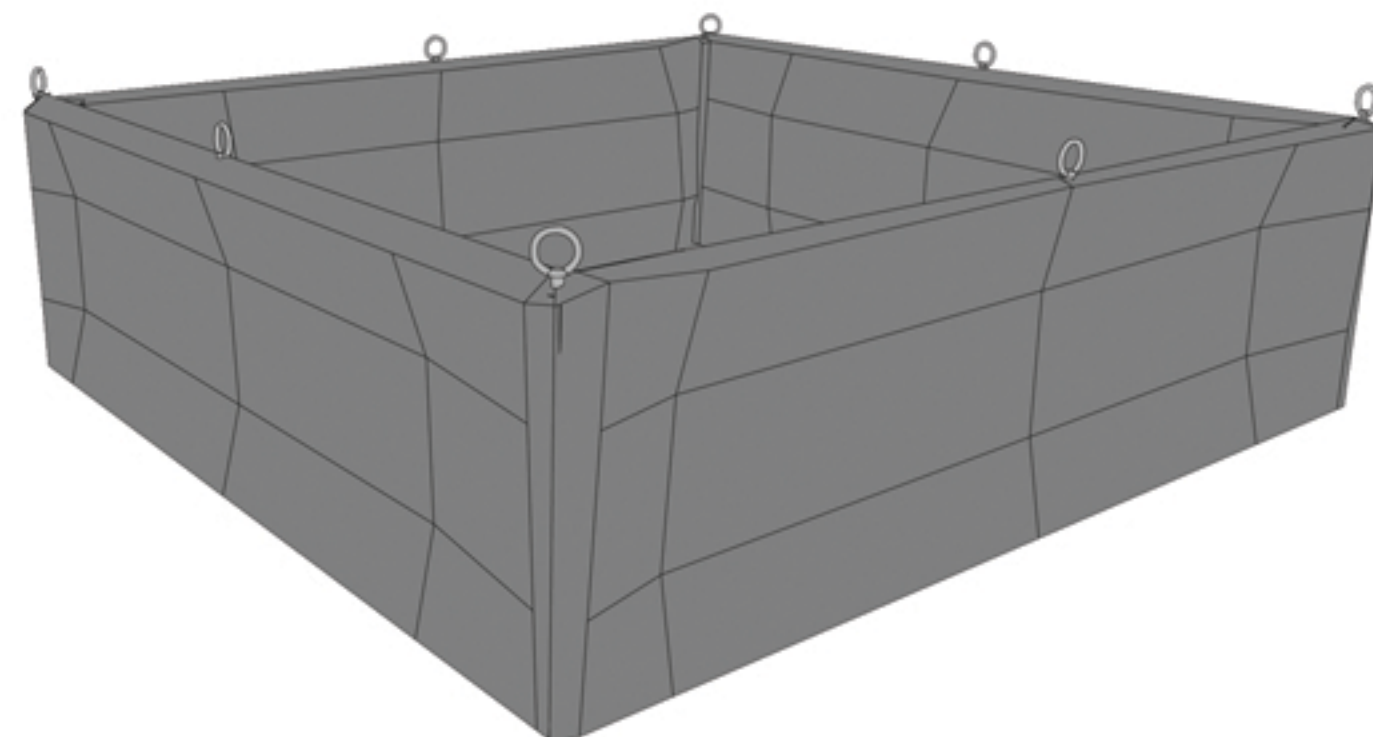
5. START TO CONNECT THE CURVED STABILIZER WITH LARGE SCREWS. ONE ON THE BOTTOM AND THEN THE TOP.



6. THEN PLACE FABRIC ALL AROUND THE FRAME.



7. PLACE THE FABRIC ON EACH CORNER. REMOVE THE SCREW AND REPLACE WITH EYE HOOK. THEN PROCEED WITH THE REST OF THE BANNER. THEN ZIP UP INNER FABRIC.



8. USE CABLE THROUGH EYE HOOKS. TIGHTEN WITH HOOK LOOP LOCK. USE CABLE TO HOOK THROUGH CHAINS ON SUPPORTING STRUCTURES. ALSO EXTRA PARTS MAY BE NEEDED FOR CUSTOM HANGING.