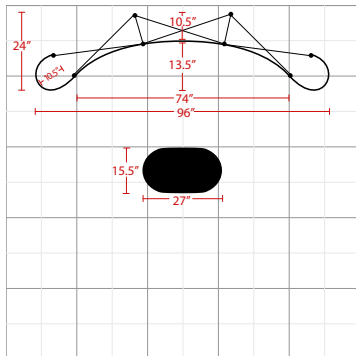


BIG WAVE 8FT GRAPHIC PACKAGE

Graphic Package



*Podium graphic is optional.



The box represents 10'x10' booth.

Product Features

All packages include:

- (1) Extruded Aluminum Frame
- (18) Channel Bars
- (2) 150 Watt Halogen Lights
- (2) Graphic End Panels
- (3) Graphic Center Panels
- (1) Case to Counter Conversion Kit

Display Size	8'W x 7.4'H x 2D'
Podium Case	38.5"H x 27.5"W x 15.75"D

Graphic Finishing

Magnetic strips on the sides and hanging hardware on top and bottom

Material	12 Mil Titanium Blockout Film 10 Mil Polycarbonate Overlamine
----------	--

Construction

Frame	Aluminum frame
Panels	Laminated panels w/ magnetic strips
Bars	Aluminum channel bars w/ magnetic strips
Podium Case	(1) Case — Black heavy duty blow molding technology construction (2) Reliable built-in wheels (2) Easy grip molded handles (top and side) for easy maneuvering (4) Lockable turning latches

Weights - Dimensions

Shipping Weight	95 lbs
Shipping Dimensions	40" x 28" x 18 "

Parts List

(1) Aluminum frame w/bag	(1) Podium wrap
(14) Silver channel bars	(4) Black channel bars
(1) Podium case w/ lid	(1) Repair kit
(2) 150 watt halogen lights	(3) Graphic center panels
(1) Instruction sheet	(2) Graphic end panels
(1) Lid fabric	(1) Channel bar bag

Graphic Specification

Graphic Size: 132.679"w x 88.98"h

BIG WAVE 8FT WITH CENTER PACKAGE

Center Package



*Podium graphic is optional.

Fabric End Panel Color Options

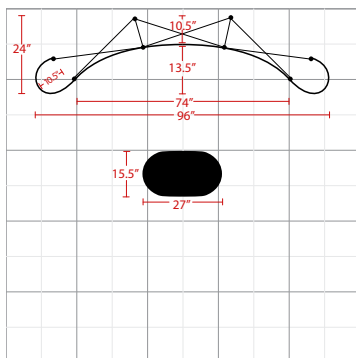
Coal
PMS Black c



Imperial
PMS 281c



Silver
PMS 423c



The box represents 10'x10' booth.

Product Features

All packages include:

- (1) Extruded Aluminum Frame
- (18) Channel Bars
- (2) 150 Watt Halogen Lights
- (2) Fabric End Panels
- (3) Graphic Center Panels
- (1) Case to Counter Conversion Kit

Display Size 8'W x 7.4'H x 2'D

Podium Case 38.5"H x 27.5"W x 15.75"D

Graphic Finishing

Magnetic strips on the sides and hanging hardware on top and bottom

Material 12 Mil Titanium Blockout Film
10 Mil Polycarbonate Overlamine

Construction

Frame Aluminum frame

Panels Laminated panels and Velcro receptive fabric panels w/magnetic strips

Bars Aluminum channel bars w/ magnetic strips

Podium Case (1) Case — Black heavy duty blow molding technology construction
(2) Reliable built-in wheels
(2) Easy grip molded handles (top and side) for easy maneuvering
(4) Lockable turning latches

Weights - Dimensions

Shipping Weight 95 lbs

Shipping Dimensions 40" x 28" x 18 "

Parts List

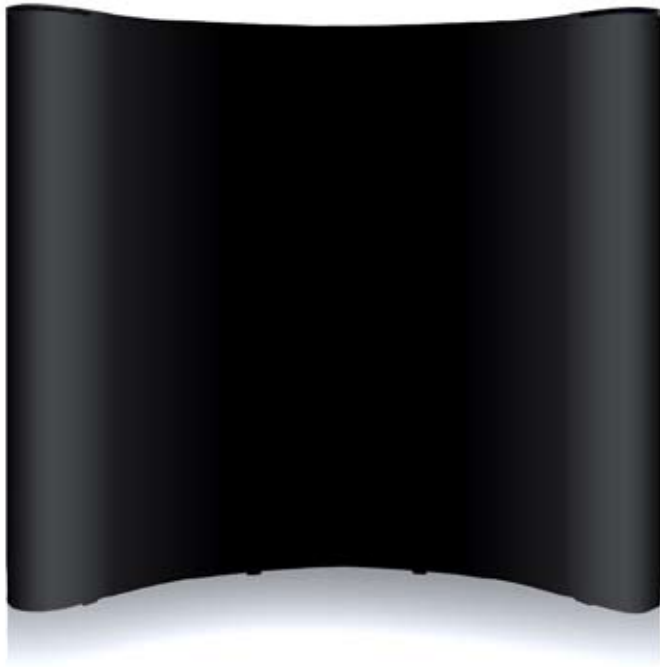
(1) Aluminum frame w/bag	(1) Podium wrap
(14) Silver channel bars	(4) Black channel bars
(1) Podium case w/lid	(1) Repair kit
(2) 150 watt halogen lights	(3) Graphic center panels
(1) Instruction sheet	(2) Fabric end Panels
(1) Lid fabric	(1) Channel bar bag

Graphic Specification

Graphic Size: 81.495" w x 88.98"h

BIG WAVE 8FT FABRIC PACKAGE

Fabric Package



Fabric Panel Color Options

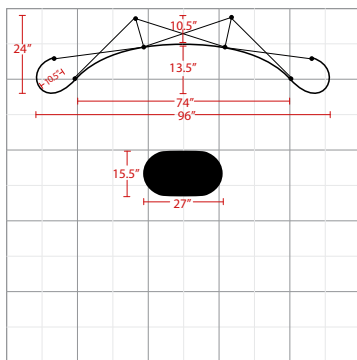
Coal
PMS Black c



Imperial
PMS 281c



Silver
PMS 423c



The box represents 10'x10' booth.

Product Features

All packages include:

- (1) Extruded Aluminum Frame
- (18) Channel Bars
- (2) 150 Watt Halogen Lights
- (2) Fabric End Panels
- (3) Fabric Center Panels
- (1) Case to Counter Conversion Kit

Display Size	8'W x 7.4'H x 2'D
--------------	-------------------

Podium Case	38.5"H x 27.5"W x 15.75"D
-------------	---------------------------

Finishing

Magnetic strips on the sides and hanging hardware on top and bottom

Material	Velcro receptive fabric
----------	-------------------------

Construction

Frame	Aluminum frame
-------	----------------

Panels	Velcro receptive fabric panels w/ magnetic strips
--------	---

Bars	Aluminum channel bars w/magnetic strips
------	---

Podium Case	(1) Case— Black heavy duty blow molding technology construction (2) Reliable built-in wheels (2) Easy grip molded handles (top and side) for easy maneuvering (4) Lockable turning latches
-------------	---

Weights - Dimensions

Shipping Weight	95 lbs
-----------------	--------

Shipping Dimensions	40" x 28" x 18"
---------------------	-----------------

Parts List

- | | |
|-----------------------------|--------------------------|
| (1) Aluminum frame w/bag | (1) Podium wrap |
| (14) Silver channel bars | (4) Black channel bars |
| (1) Podium case w/ lid | (1) Repair kit |
| (2) 150 watt halogen lights | (3) Fabric center panels |
| (1) Instruction sheet | (2) Fabric end panels |
| (1) Lid fabric | (1) Channel bar bag |